



# IGPR4850HE

Rectifier Modules  
-48V / 50A



## Features

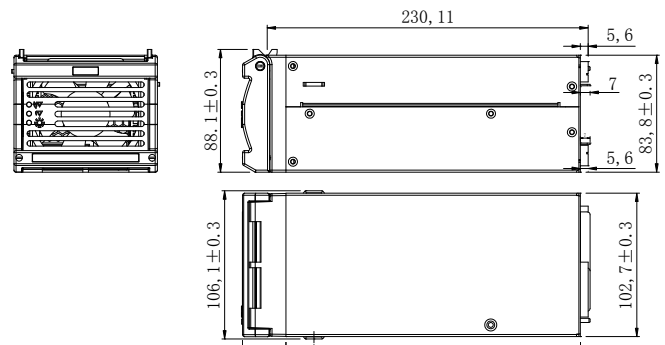
- High density power, optimizing space for power needed in embedded solutions
- Front-in rear-out ventilation, allowing unobstructed stacking of shelves of rectifiers
- DSP (Digital Processing Signaling) control
- Compliant with global standards, delivers quality, performance and reliability in the power solutions
- Industry leading efficiency @ 95% - reduces power consumption for lower operating costs
- Hot plug capability
- Wide input voltage range from 90-290Vac
- Wide temperature operating range (-40°C to +70°C)

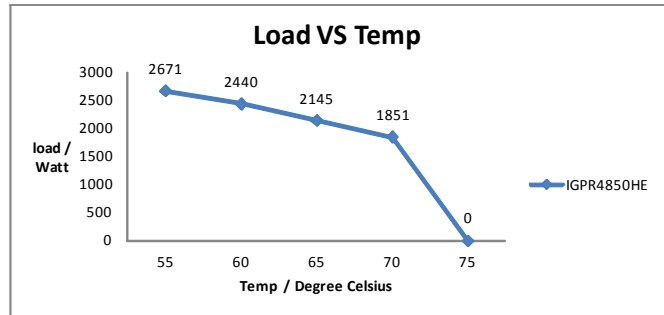
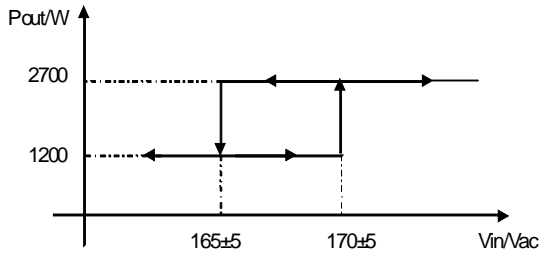
## Description

InfluxGreen industry leading efficient IGPR4850HE rectifier is designed and optimized for the demanding power needs of telecom-based and wireless communications applications, enterprise and broadband equipment. Implemented in a distributed power system architecture, the product is also suitable to meet power needs of central offices.

At 2RU height per unit, it provides up to 12000W of power on a 2RU/19" front footprint. IGPR4850HE has a wide operating temperature range of up to 70°C, allowing the units to operate in harsh environment.

IGPR4850HE is optimally designed to ensure the overall reliability and availability of the system.





## Technical Specifications

### AC Input

Input Voltage, Permitted Variations	90 to 290VAC
Line Frequency	45 to 65HZ
Max Input Current	18.5A
Power Factor	0.99

### DC Output

Output Voltage, Adjustment Range	42 to 58VDC
Output Power	2900W
Output Power, Derated for Input	1200W
Output Current	50A
Regulation	± 1%
Efficiency	95%
Psophometric Noise (System)	2mV

### Operating Environment

Operating Temperature	-33 to +70°C
Storage Temperature	-40 to +75°C
Relative Humidity	5 to 95%
Altitude	3000 m (full power)
Acoustic Noise	55dB
Cooling	Forced Cooling, Front-in, Rear-out, with temperature controlled speed

### EMC & Other Parameters

Harmonic Current	IEC 61000-3-2 (6) CLASS A
RS	IEC 61000-4-3 LEVEL 3
CS	IEC 61000-4-6 LEVEL 3
EFT/B	IEC 61000-4-4 LEVEL 3
Surge	IEC 61000-4-5 LEVEL 4
Reliability (MTBF)	<= 250,000 hours (calculated)

### Insulation Ratings

Input-Output	3000VAC/10mA/1min
Input-Chassis	1500VAC/10mA/1min
Output-Chassis	500VAC/10mA/1min
Leakage Current	< 3.5mA (@264Vac, 60Hz)
Safety Approvals	TUC, CE & UL certified, IEC/EN60950-1, UL60950-1, CAN/CSA-C22.2 No.60950-1

### Mechanical Specifications

Dimensions (L x W x H)	242.5 x 102.7 x 88.1 mm
Weight	< 2.8kg
Shock	Acceleration 400m/s <sup>2</sup> , Pulse width: 6ms, Axes: 3, Directions: 6 – 500 times per direction
Drop	Height: 1m, once

### LED Indications

Operation	Green – (ON): AC Mains Present; (OFF): AC Failure, Rectifier No Output
Protection	Yellow – (OFF): No Failure; (ON): Temperature Pre-Alarm; Rectifier on Standby
Failure	Red – (OFF): No Failure; (ON): Shutdown @ Output Overvoltage. Over-temperature Fan Failure, or No Output caused by other internal errors